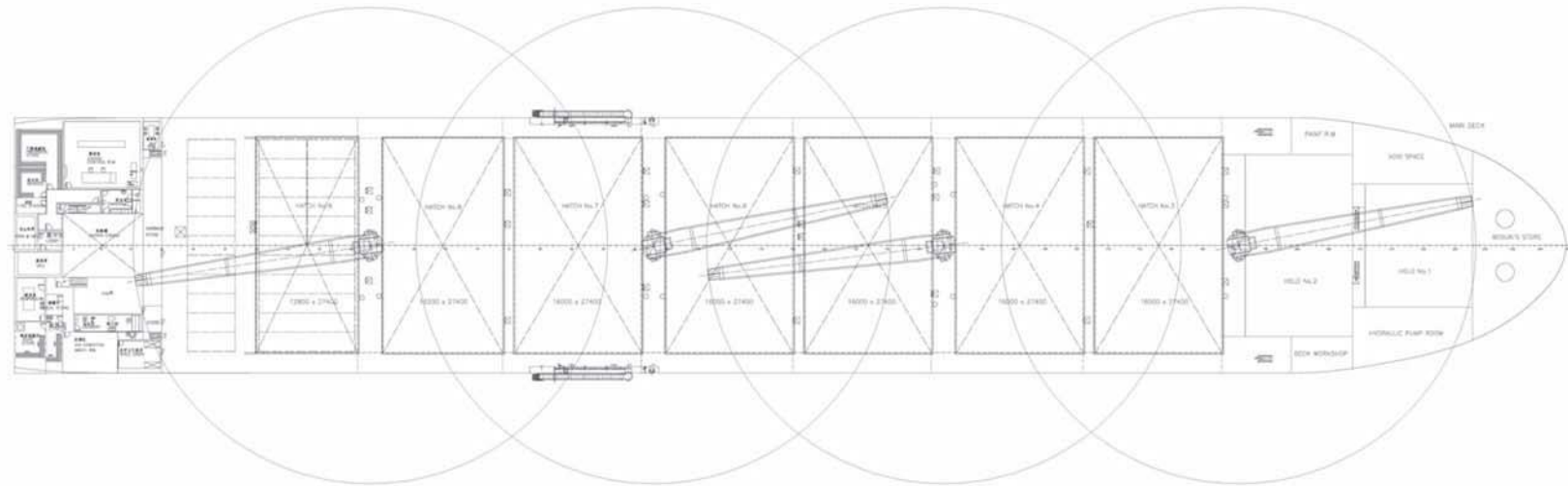
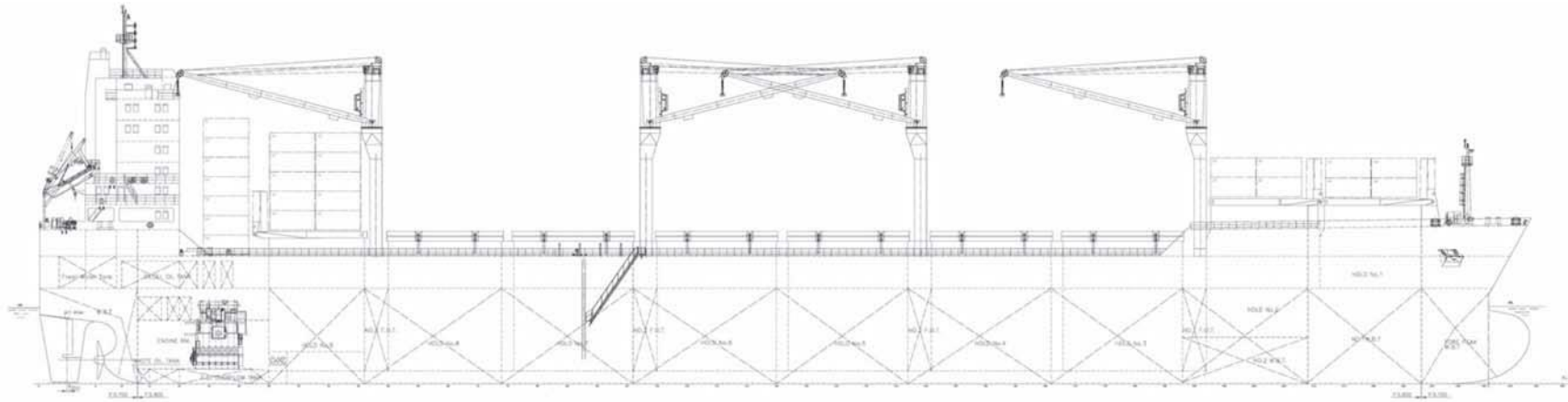


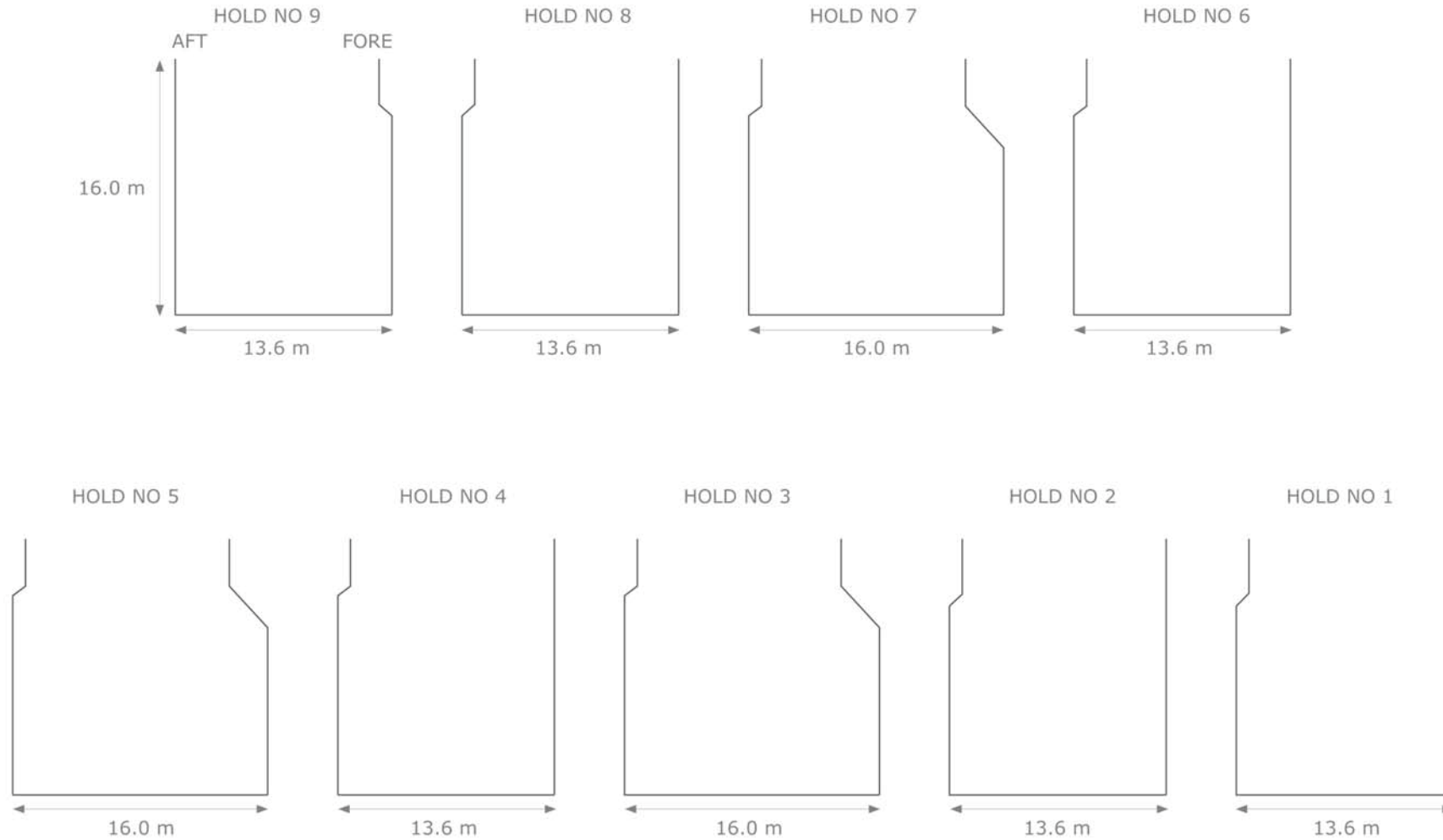
NAVARRA CLASS



NAVARRA CLASS – DESCRIPTION

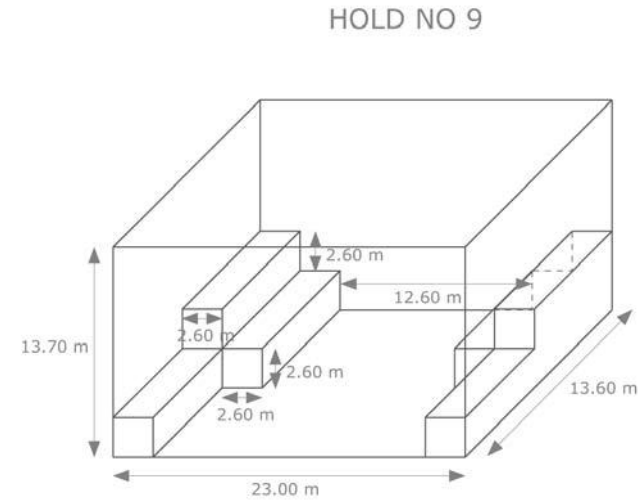
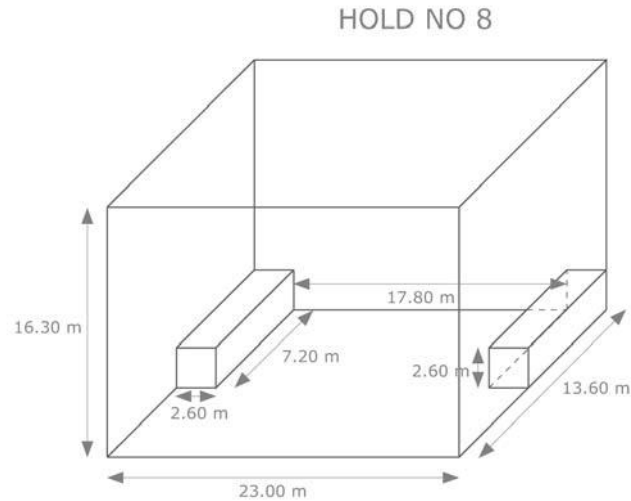
Type	singledeck open hatch type, mult-purpose cargo carrier 4 cranes, engine and bridge aft, grain fitted	Permissible loads	cargo hold tank tops: ABT. 20MT/M2 main deck: ABT. 4.0 MT/M2
Built	CUMBRIA 2008 / GALICIA 2009 / ALENTEJO 2009 DALARNA 2010 / NAVARRA 2010 / DALMATIA 2010	Capacity of tanks	hatch covers: ABT. 3.0 MT/M2 heavy fuel oil tank: ABT. 2.200 CBM diesel oil: ABT. 170 CBM ballast water tank: ABT. 17.700 CBM fresh water ABT. 240 CBM
Deadweight	deadweight at scantling draught 12.50 m ABT 50.000 MTS	Speed	consumption (IFO 380 CST) at sea including auxiliaries on design draft 10.40 m with ABT. 37890 MTS deadwight 14.5 knots 36 MTS no diesel at sea
Principal dimensions	length, over all: ABT. 199.90 m breadth, moulded: ABT. 32.26 m depth, moulded: ABT. 17.00 m scantling draught: ABT. 12.40 m	Main engine	Mitsubishi 6UEC 50 LSE 9960 KW 124 r/min
Cargo crane	4 cranes (between hold no. 2-3, 4-5, 6-7, 8-9) hoisting load: ABT. 40 MT (hook) hoisting speed: ABT. 18.5 m/min. working radius: ABT. min. 3.5 m – max. 33 m slewing angle: 360 degrees		
Holds	9 holds no. 1 12.80 m x 16.02 m / 3276.4 CBM no. 2 cargo hold 12.80 m x 22.60 m / 5741.3 CBM no. 3-7 cargo hold 16.00 m x 27.50 m / 7612.0 CBM no. 8 cargo hold 15.20 m x 27.50 m / 7036.7 CBM no. 9 cargo hold 12.80 m x 27.50 m / 4300.7 CBM		
Hatches	hatch no.1, no.2 & no.9: steel end folding type, double skin construction, hydraulically operated with grain and cement loading openings. the hatches to be strengthened suitable for carrying containers. hatch no.3 to no.8: piggy-back type, double skin construction, hydraulically operated with grain and cement loading openings ABT. 58415.0 CBM (9 holds) on deck only: 273 TEU (75 TEU + 99 FEU)		
Cargo capacities	singledeck open hatch type, mult-purpose cargo carrier		
Container intake	4 cranes, engine and bridge aft, grain fitted		

NAVARRA CLASS



ALL HOLDS ARE FULL OPEN WITH NO UNDERSTOW P/S AND WIDTH OF 23 m / HOLD 1 WIDTH OF 20 m

NAVARRA CLASS – HOLD DIMENSION & CARGO CAPACITY



HOLD NO	GRAIN/BALE CAPA (cbm)	TANK TOP DIM (m, LxWxH)	HATCH DIM (m, LxW)	NOMINAL CONTAINER INTAKE
1	4000	13.6 x 20.0 x 16.0	12.8 x 20	1874 x 20 DV
2	5012	13.6 x 23.0 x 16.0	12.8 x 23	915 x 40 DV + 22 x 20 DV
3	5661	16.0 x 23.0 x 16.0	12.8 x 23	HOMOGENIOUS CONTAINER INTAKE
4	5013	13.6 x 23.0 x 16.0	12.8 x 23	10 mts = 1627 TEU
5	5640	16.0 x 23.0 x 16.0	12.8 x 23	12 mts = 1535 TEU
6	5013	13.6 x 23.0 x 16.0	12.8 x 23	14 mts = 1477 TEU
7	5650	16.0 x 23.0 x 16.0	12.8 x 23	16 mts = 1413 TEU
8	4896	13.6 x 23.0 x 16.0	12.8 x 23	18 mts = 1342 TEU
9	4184	13.6 x 23.0 x 16.0	12.8 x 23	Vessel is equipped with 100 reefer plugs
TOTAL	45069			